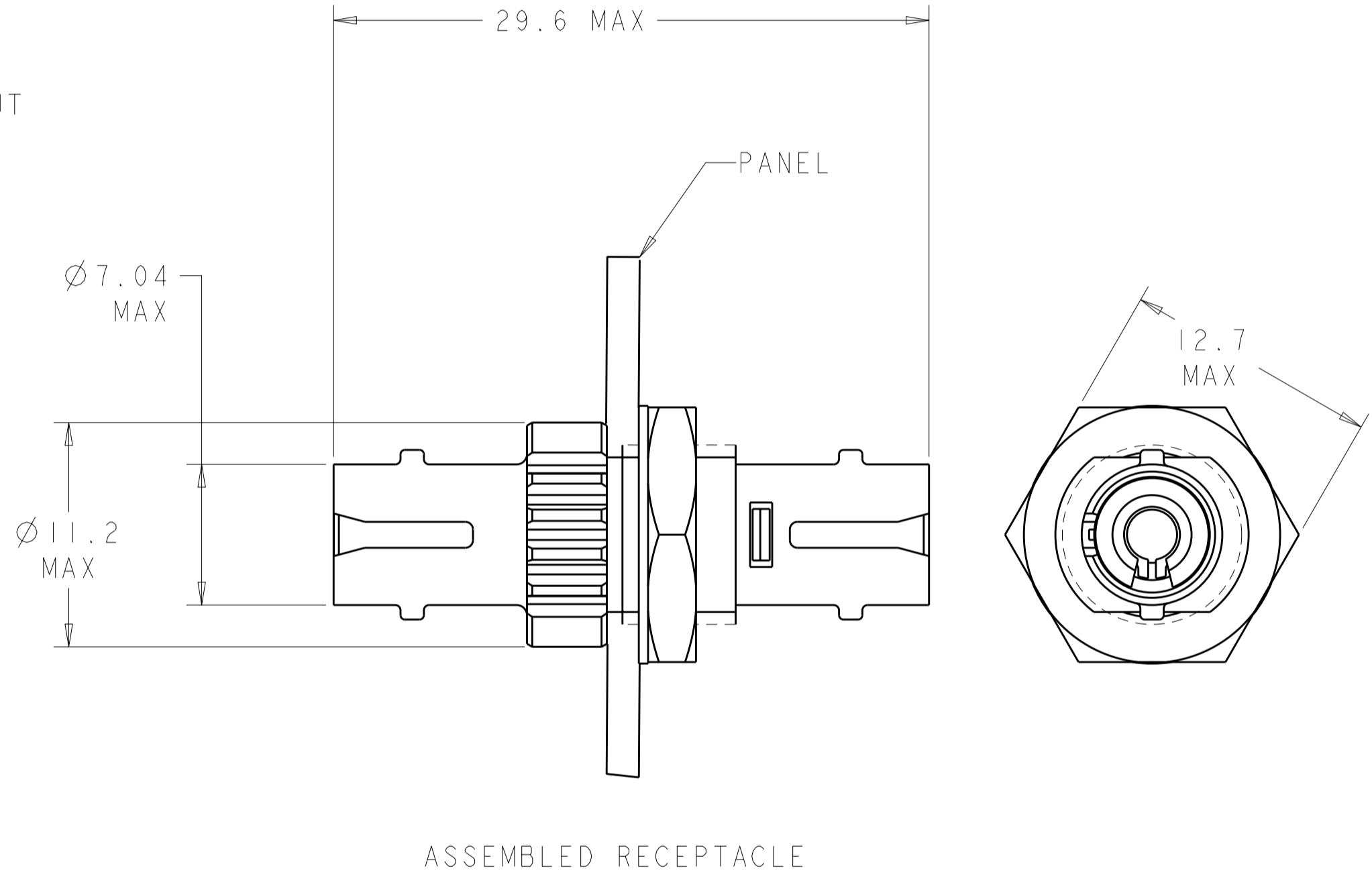
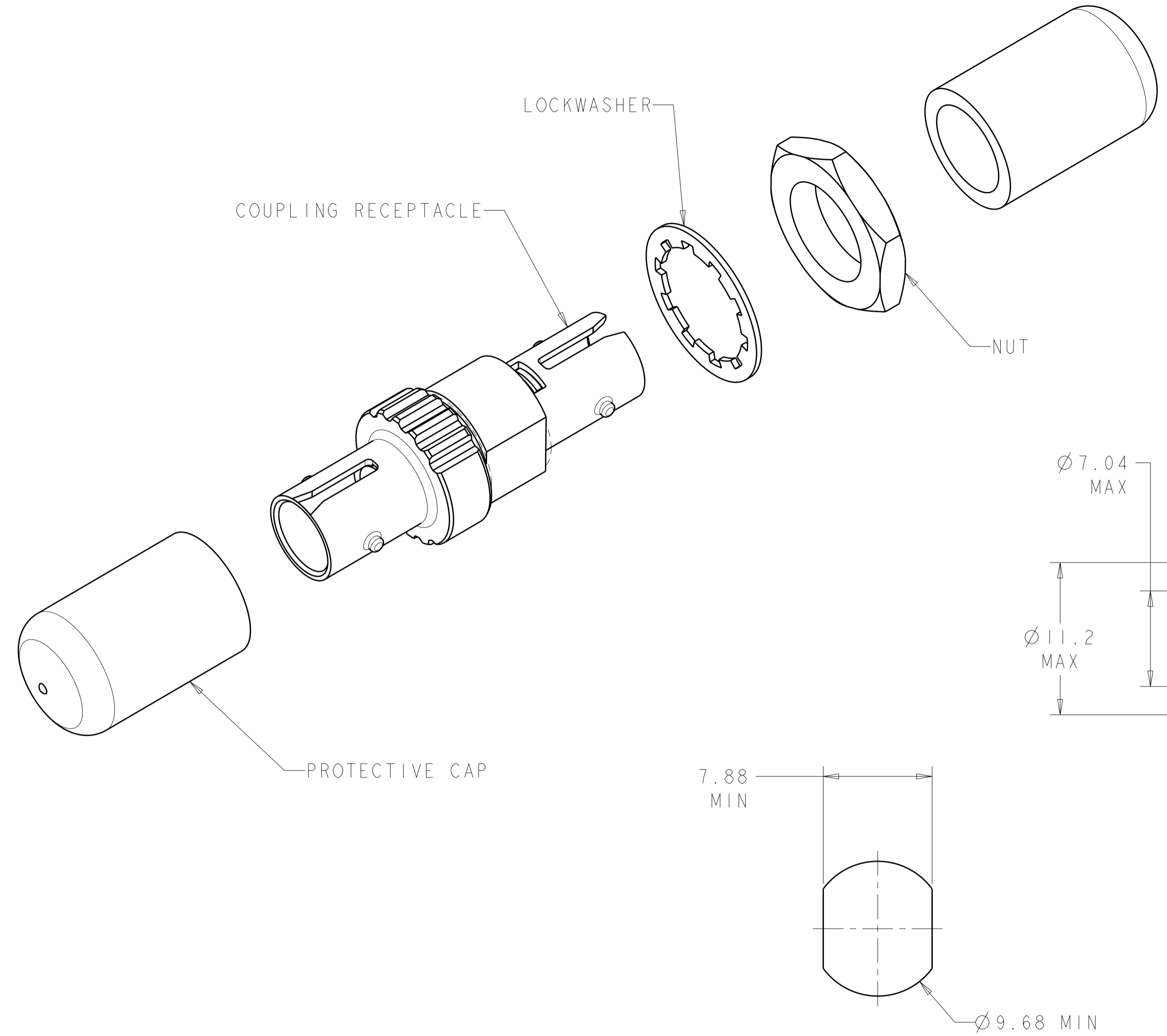


THIS DRAWING IS UNPUBLISHED. RELEASED FOR PUBLICATION 20  
 © COPYRIGHT 20 BY - ALL RIGHTS RESERVED.

LOC	DIST	REVISIONS			
P	LTR	DESCRIPTION	DATE	DWN	APVD
CE	00	EI	REVISED PER ECO-11-005027	14MAR2011	RK HMR



SUGGESTED PANEL CUTOUT

1 MATERIAL:  
 PROTECTIVE CAP: VINYL  
 LOCKWASHER: STAINLESS STEEL  
 NUT: NICKEL PLATED BRASS  
 COUPLING RECEPTACLE  
 HOUSING: ZINC  
 RETAINER: PBT, COLOR: WHITE, UL94 V-0 RATED AT QUALIFYING THICKNESS.  
 SLEEVE: PPS-GF40, COLOR: BLACK, UL94 V-0 RATED AT QUALIFYING THICKNESS.

2 BULK PACKAGE.

501381-2
501381-1
PART NUMBER

THIS DRAWING IS A CONTROLLED DOCUMENT.		DWN B. BRIGGS 10MAY2005	<b>STE</b> TE Connectivity	
DIMENSIONS: mm		CHK S. BUCHTER 10MAY2005		
TOLERANCES UNLESS OTHERWISE SPECIFIED:		APVD S. BUCHTER 10MAY2005	NAME COUPLING RECEPTACLE KIT, 2.5mm BAYONET	
0 PLC ±	1 PLC ±	PRODUCT SPEC	SIZE CAGE CODE DRAWING NO RESTRICTED TO	
2 PLC ±0.13	3 PLC ±	APPLICATION SPEC	A200779C-501381	
4 PLC ±	ANGLES ±	WEIGHT	SCALE 4:1 SHEET OF REV E1	
MATERIAL	FINISH	CUSTOMER DRAWING		